



Recessed IP65 downlight.

Chromated and powder coated housing.  
RAL 7016 dark grey as standard.  
Stainless steel ring frame (AISI 316).

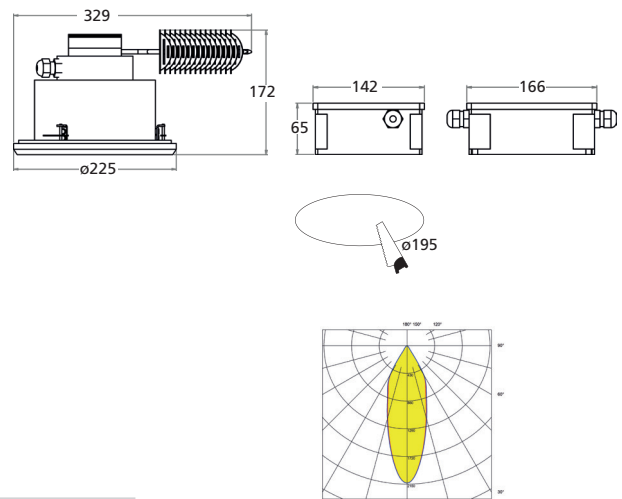
Tempered safety glass and stainless screws.  
Pure aluminium reflectors.  
Connection via separate driver unit equipped with strain relief clamps.

Mounted with screws in the housing and threaded brackets that lock the luminaire in place.

Can be fitted with Dali dimming system.

Lifespan L80 Ta25 50000h B50  
MacAdams 3 SDCM CRI: >80

IP 65 | IK 07 | CE



Type	Lumen	Art no.	E no.	Power	Weight
Timbal R 2000 830	1850	7 215 27	77 032 14	22	2,2
Timbal R 2000 840	1880	7 215 29	77 032 15	22	2,2
Timbal R 3000 830	2360	7 215 31	77 032 16	33	2,2
Timbal R 3000 840	2400	7 215 33	77 032 17	33	2,2